

# JAYHAWK

## OUTDOOR DIGITAL SIGNAGE

- 46" or 55" HD LCD display
- 2500/3000 nits rating
- Anti-graffiti LCD screens
- Sturdy aluminum construction
- Custom paint and graphic options
- -30°C to 50°C operating temperature
- Locking wheel kit (option)
- PC / Media player storage
- Locking access doors



24/7 Operation



High Bright  
LCD



IK-10  
Protective Glass



IP 56



Temperature  
Management

## OVERVIEW

The original Fabcon outdoor digital sign enclosure stands the test of time. Popular uses include QSR, entertainment and outdoor service providers such as parking garages and car washes. This enclosure is manufactured from aluminum with base plate mounting points and comes in a range of outdoor rated powder coat finishes. Easily adaptable with additional components such as media players and cellular devices for communication. Designed for IP outdoor rated digital signs.

## SPECIFICATIONS & OPTIONS

**Materials:** Aluminum with stainless steel hardware

**Dimensions:** 55" - 75.4 x 28.8 x 22 inches  
46" - 78 x 30 x 12.59 inches

**Display:** 46" - Samsung OH46F models  
55" - Samsung OH55F models

**Electrical:** 120 vac, 60hz, 7 amps  
220 vac, 50hz 4 amps

**Part Number:** FC-6756 - 55" Size  
FC-6755 - 46" Size



The Leading  
One-Stop  
Contract  
Manufacturer

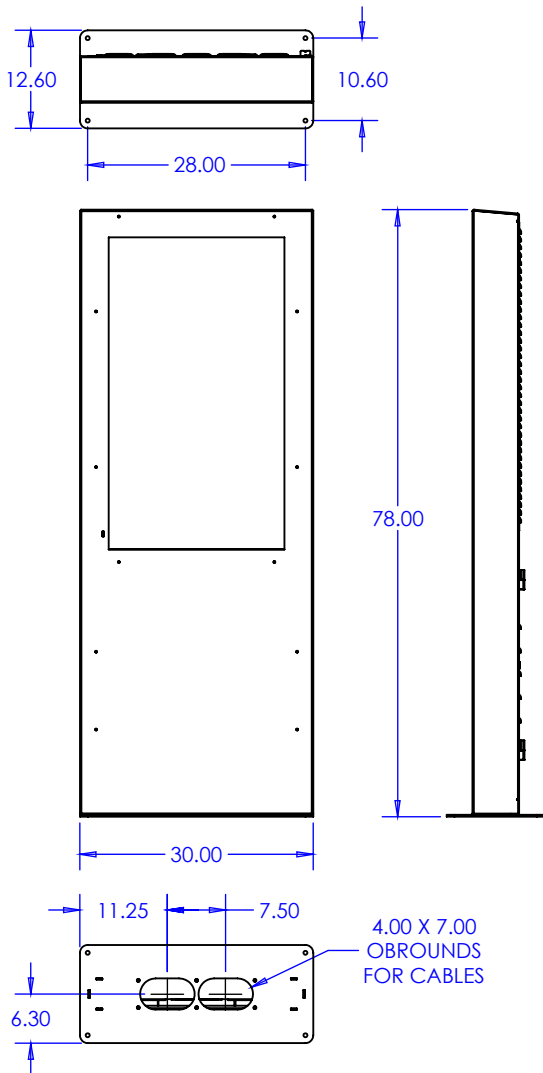


1800 E. St. Andrew Pl  
Santa Ana, CA 92705  
714-881-2000  
info@fabcon.com  
www.fabcon.com

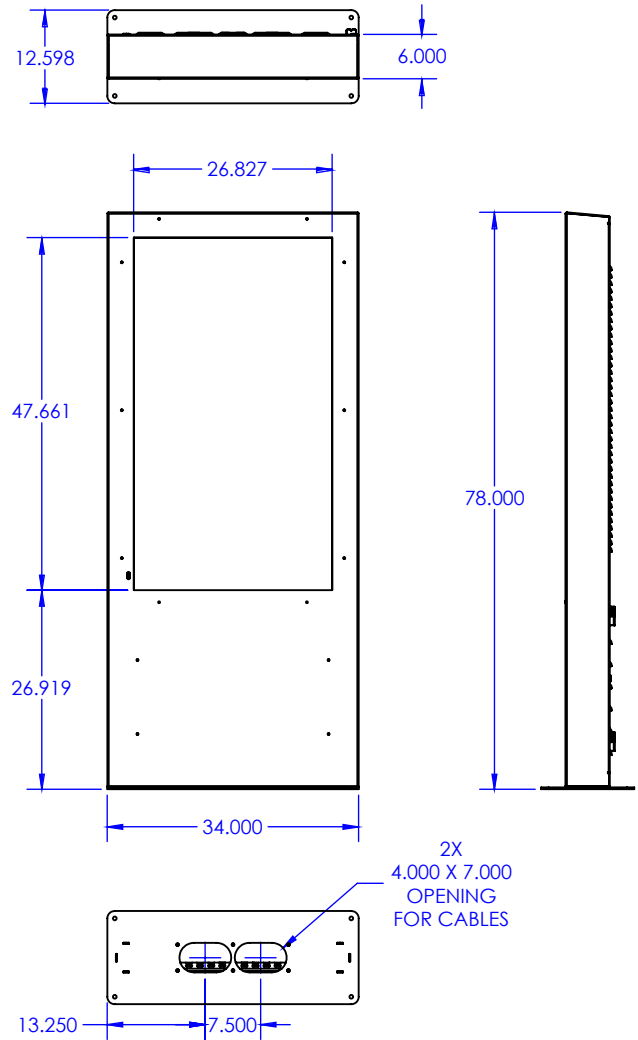
# JAYHAWK

## DIMENSIONS

### 46" JAYHAWK



### 55" JAYHAWK



Fabcon reserves the right to change or update, without notice, any information contained herein; to change, without notice, the design, construction, materials, processing or specifications of any products; and to discontinue or limit production or distribution of any products. Fabcon and the Fabcon logo are either trademarks or registered trademarks of Fabcon, Inc. All other trademarks are the property of their respective owners. © 2018 Fabcon, Inc. All rights reserved.



The Leading  
One-Stop  
Contract  
Manufacturer



1800 E. St. Andrew Pl  
Santa Ana, CA 92705  
714-881-2000  
info@fabcon.com  
www.fabcon.com