

REDWOOD_{VA}



OUTDOOR DIGITAL MENU BOARDS

- 1 or 2 display configurations
- Samsung OH55F or LG XE4F displays
- Easy installation
- Media accessory box
- Hard wired or with receptacles
- Anti-graffiti LCD screens
- IK10 protective glass



24/7 Operation



High Bright
LCD



IK-10
Protective Glass



IP 56



Temperature
Management

FEATURES

- Sturdy aluminum construction
- Custom paint options
- Modular design
- IP56 certified outdoor displays
- 30°C to 50°C operating temperature
- Locking access doors



The Leading
One-Stop
Contract
Manufacturer

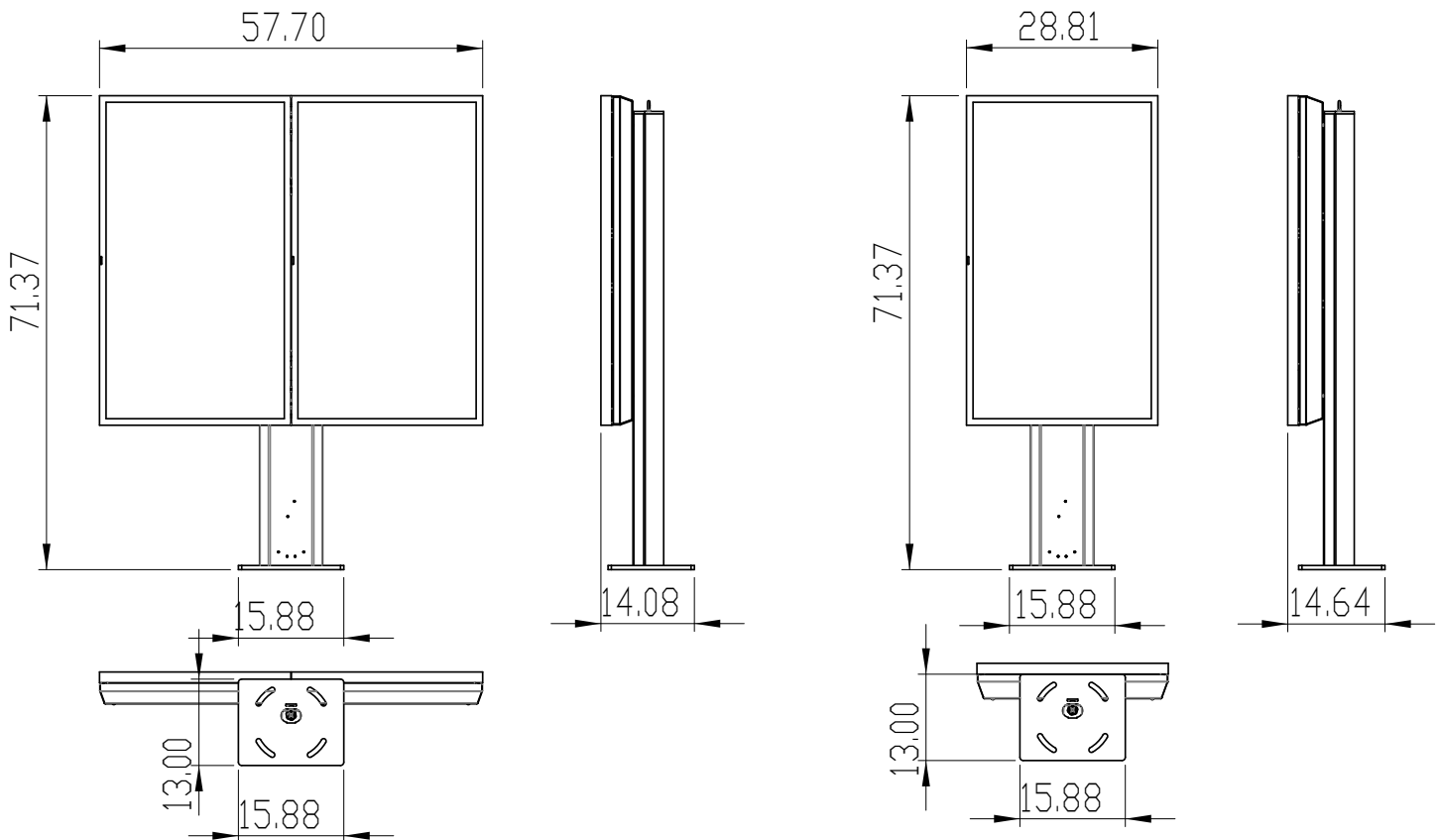


1800 E. St. Andrew Pl
Santa Ana, CA 92705
714-881-2000
info@fabcon.com
www.fabcon.com

REDWOOD_{VA}



DIMENSIONS



Fabcon reserves the right to change or update, without notice, any information contained herein; to change, without notice, the design, construction, materials, processing or specifications of any products; and to discontinue or limit production or distribution of any products. Fabcon and the Fabcon logo are either trademarks or registered trademarks of Fabcon, Inc. All other trademarks are the property of their respective owners. © 2018 Fabcon, Inc. All rights reserved.



The Leading
One-Stop
Contract
Manufacturer



1800 E. St. Andrew Pl
Santa Ana, CA 92705
714-881-2000
info@fabcon.com
www.fabcon.com