

# A-FRAME

## PORTABLE DIGITAL SIGNAGE

- Samsung QM32R or LG 32SM5KE display
- Built-in media player
- 1920 x 1080 HD resolution
- Integrated Wi-Fi
- 400 nits brightness rating
- Sturdy steel construction
- Analytics camera - option
- Battery powered - option



FOLDING A-FRAME

ROLLING A-FRAME

## OVERVIEW

Fabcon's new Folding and Rolling A-Frame products offer a simple, low cost digital poster solution for a variety of applications. These products offer a platform for a company to communicate important store policy health and safety messaging including Federal, State and local Government regulations.

In today's world, a simple vehicle to offer a heightened awareness and communication program for store customers is essential. In addition, available options that can be incorporated include line management, people counting and analytics. A subscription content management program or product advertising revenue stream platform is also available.

Fabcon A-Frames are compatible with either the Samsung QM32R or LG 32SM5KE display, and both feature a powerful, all-in-one signage solution with easy content and display management. The high quality picture quality has 400 NITS of brightness and a 3 year on-site warranty.

## SPECIFICATIONS & OPTIONS

- Dimensions:** Folding A-Frame: See back page  
Rolling A-Frame: See back page
- Weight:** Folding A-Frame: 56.6lbs w/ screen  
Rolling A-Frame: 58.2lbs w/ screen
- Display:** 32" Samsung QM32R  
32" LG 32SM5KE
- Electrical:** AC 100 - 240 V~ (+/- 10 %), 50/60 Hz
- Material:** 18GA steel
- Part Number** Folding A-Frame: FC-672102-300  
Rolling A-Frame: FC-711701



The Leading  
One-Stop  
Contract  
Manufacturer



1800 E. St. Andrew Pl  
Santa Ana, CA 92705  
714-881-2000  
info@fabcon.com  
www.fabcon.com

# SOFTWARE/PRO SERVICES (Samsung Only)

MagicINFO SaaS is a hosted version of Samsung's MagicINFO that provides web-based content management and administration of your digital signage network. No expensive or complicated servers are necessary because we do it all for you. It's a simple and easy way to get up and running with digital signage all without having to hire a costly IT team and technicians.

Schedule and create your content, wherever and whenever you want. Manage up to 15,000 connections from one central location. The advanced possibilities and low costs make MagicINFO SaaS one of the most versatile and cost-effective solutions in the market.

## SERVICES

- Cloud hosting
- Content remastering
- Content scheduling
- Screen monitoring
- Device management
- 24/7 support
- Project management

## FEATURES

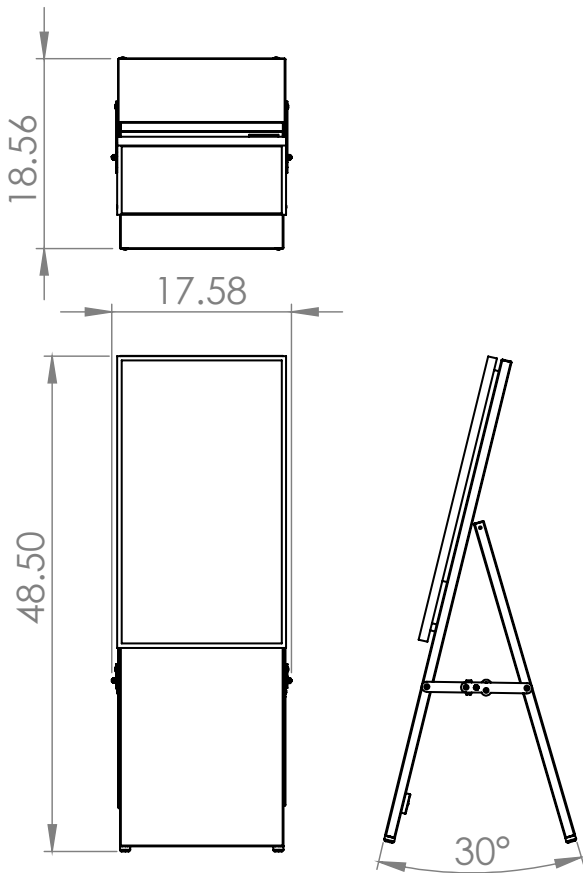
- Pay as you go
- Rapid deployment
- Web author
- Streaming video
- Sync play
- Remote access
- RSS
- Playlists

## INDUSTRIES

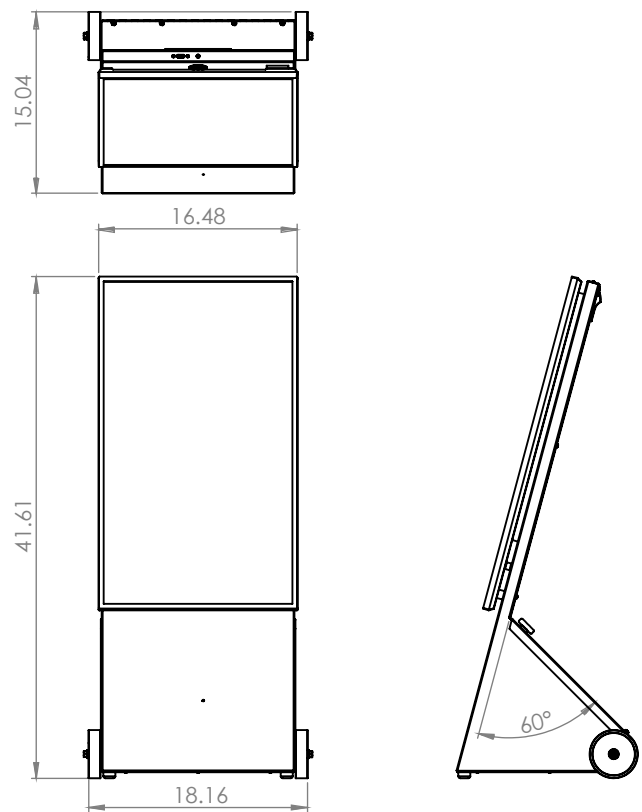
- Food services
- Education
- Retail
- Transportation
- Healthcare
- Hospitality
- Banking
- And many more....

## DIMENSIONS

### FOLDING A-FRAME



### ROLLING A-FRAME



Fabcon reserves the right to change or update, without notice, any information contained herein; to change, without notice, the design, construction, materials, processing or specifications of any products; and to discontinue or limit production or distribution of any products. Fabcon and the Fabcon logo are either trademarks or registered trademarks of Fabcon, Inc. All other trademarks are the property of their respective owners. © 2019 Fabcon, Inc. All rights reserved.



The Leading  
One-Stop  
Contract  
Manufacturer



1800 E. St. Andrew Pl  
Santa Ana, CA 92705  
714-881-2000  
info@fabcon.com  
www.fabcon.com