

FLEX HEALTH KIOSK

- 24" or 32" HD LCD display
- Storage compartment for media player, router, surge protector
- Touch-free hand sanitizer dispenser
- Smart, trouble-free electronics eliminate battery changes in most installations
- Large sight window for AT-A-GLANCE monitoring
- 1200mL dispenser
- Analytics camera - optional



OVERVIEW

The Fabcon Flex hand sanitizing floor stand is an economical, simple stand for ensuring your customers have access to a hand sanitizer station. Flexible enough to hold a variety of screens (24" to 32") and to also deliver important store digital messaging, this stand utilizes a minimal footprint and can be adapted to include several options including cameras for tracking impressions and sensors for reading temperatures.

The Flex Health stand can also be adapted to include a platform to offer customers an advertising based revenue stream by simply adding the media player and cellular modem peripherals to the stand base. Content management software is available to download and schedule unlimited advertising options, as is impression monitoring statistics to provide feedback to your advertisers.

Communicate effectively with your customers to highlight store health and safety policies while also offering a hand sanitization station for the health of your customers.

SPECIFICATIONS & OPTIONS

- Materials:** 18GA steel (Pedestal)
7GA steel (Base)
- Dimensions:** See back page
- Weight:** ~ 66lbs with 24"screen
~ 78lbs with 32" screen
- Display:** 24" or 32" HD LCD
- Electrical:** AC 100 - 240 V~ (+/- 10 %), 50/60 Hz
- Part Number:** FC-711601

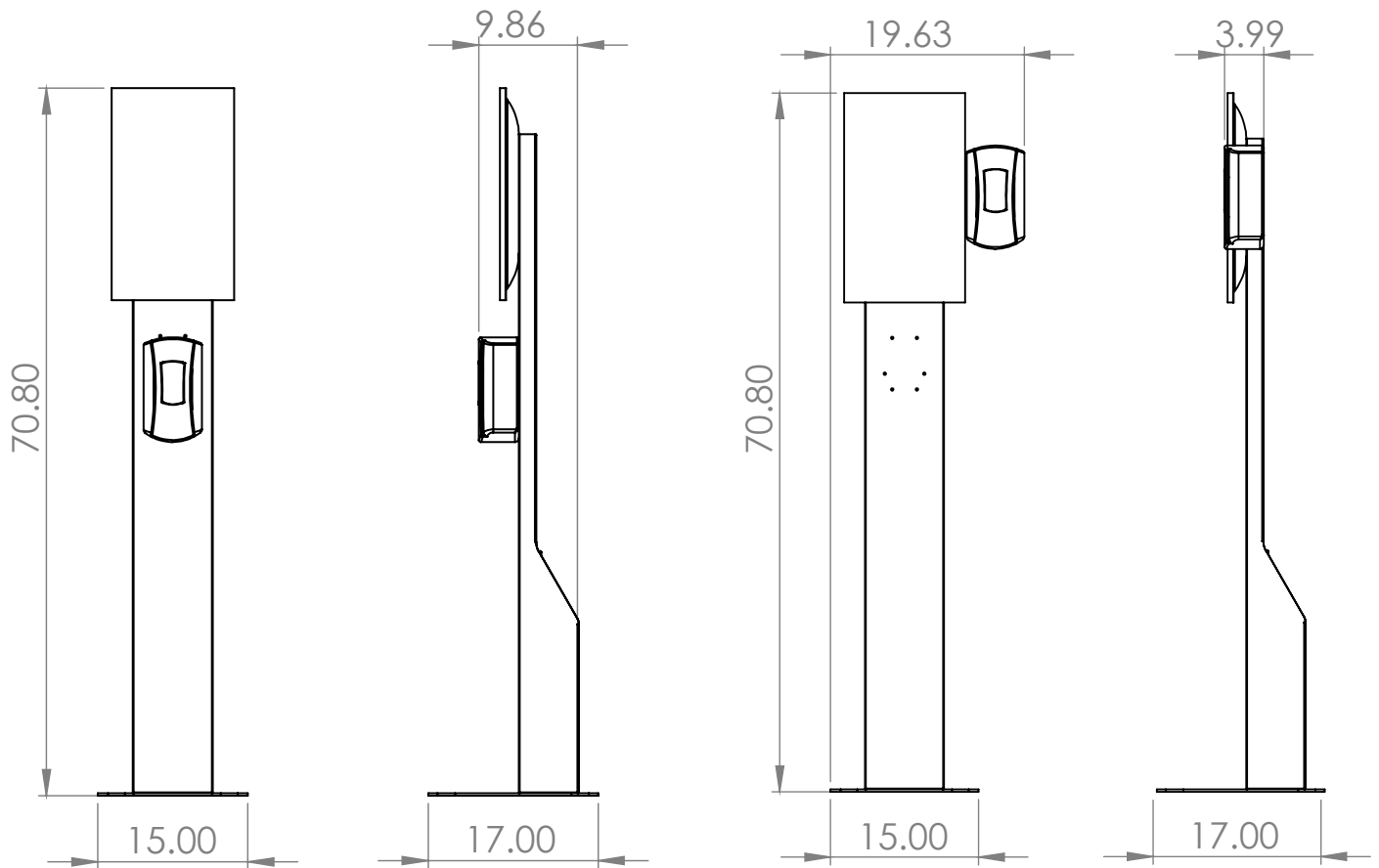


The Leading
One-Stop
Contract
Manufacturer



1800 E. St. Andrew Pl
Santa Ana, CA 92705
714-881-2000
info@fabcon.com
www.fabcon.com

DIMENSIONS



Fabcon reserves the right to change or update, without notice, any information contained herein; to change, without notice, the design, construction, materials, processing or specifications of any products; and to discontinue or limit production or distribution of any products. Fabcon and the Fabcon logo are either trademarks or registered trademarks of Fabcon, Inc. All other trademarks are the property of their respective owners. © 2019 Fabcon, Inc. All rights reserved.



The Leading
One-Stop
Contract
Manufacturer



1800 E. St. Andrew Pl
Santa Ana, CA 92705
714-881-2000
info@fabcon.com
www.fabcon.com